

TECH DATA

Benefits

- Exceptional sound insulation performance, reducing sound transfer between rooms.
- Good impact resistance, especially hard body and gouge resistance, providing durable walls requiring low maintenance.
- Meets the requirements for fire and water resistant applications.



SonaRock with sound, impact, water and fire resistance makes it ideal for health and education buildings.

SONAROCK is an internal gypsum fibre wall lining made from a mix of recycled gypsum, natural gypsum and reinforcing cellulose fibres produced from recycled paper. These fibres and layers are compressed during manufacture to give SonaRock outstanding sound insulation performance, plus good fire, impact and moisture resistance, all the properties required for schools, health sector and entertainment buildings.

Product Information

SHEET SIZE	THICKNESS (mm)	WIDTH (mm)	LENGTH (mm)	WEIGHT* (kg/m ²)
	13	1200	3000	15.5
	16	1200	3000	19.0
FIRE HAZARD PROPERTIES	Group 1 material according to the requirements of BCA Section C1.10 Fire Hazard Properties Average Specific Extinction Area < 250 m ² /kg as required by BCA Specification C1.10a, Clause 3(c)			
COMBUSTIBILITY	Classified as non-combustible according to the BCA Section C1.12			
HAZARDS IDENTIFICATION	Not classified as hazardous according to the criteria of NOHSC Australia			

* Weights indicated are nominal

Application

SonaRock can be used in a wide range of commercial wall systems where superior sound insulation is required as well as impact, fire and water resistance.

Ideal applications include hospital, school and public buildings where the requirement for a high level of durability is essential for low maintenance costs.

TECH DATA

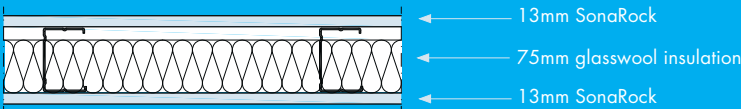
Performance



Sound

Excellent sound resistant properties to significantly reduce the transmission of sound between rooms.

Lining	Sound reduction index Rw
10mm standard lining	39 dB
13mm SonaRock	52 dB



Single 76mm metal stud framework at 600mm centres



Impact

Good gouge resistance and hard body impact resistance.



Water

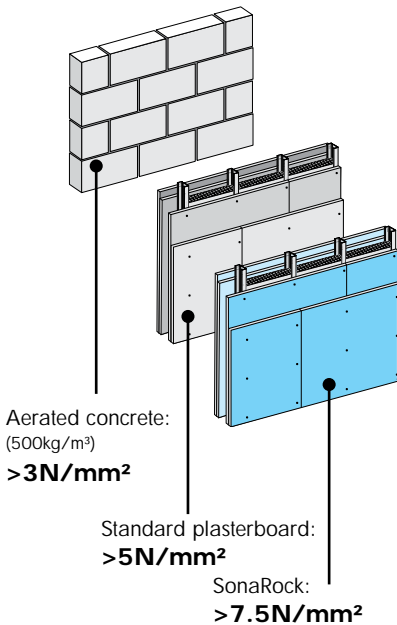
Suitable in wet area installations.



Fire

High fire resistance to meet Building Code of Australia requirements.

Characteristic Compressive Strength of SonaRock



(Newtons of force per square millimetre)

Installation

SonaRock is installed using the 'Fastener Only Method' for all wall and ceiling systems.

To maintain fire and acoustic integrity:

- > Use fire sealant on all gaps and around the perimeter
- > As a minimum, only use paper tape with either two coats of MastaBase/MastaLongset or three coats of MastaLite.

Warranty

Knauf's products are guaranteed by a 10 Year Warranty. Visit knaufplasterboard.com.au for details.

Technical Advice

For technical advice, please call Knauf technical services on **1300 724 505**.